

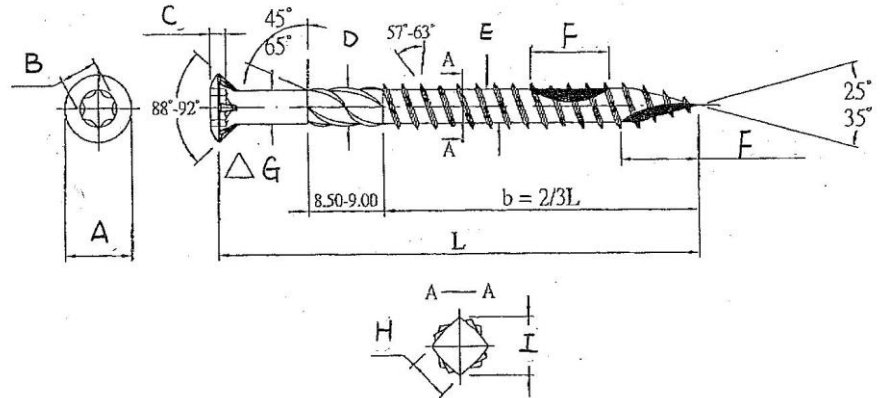


STAF[®]
Our part in every solution



05130

Multi+[®] raised csk head decking screw six lobe
Aisi 410 (C1)



Specifications

Material AISI 410 ST/ST (C1)
Bending angle +/-2 degree

Size	4 mm	4.5 mm	5 mm
Drive	T-20	T-20	T-25
A	6.50-6.90	7.00-7.40	7.50-7.95
B	3.91-3.96	3.91-3.96	4.49-4.55
C (Recess depth)	1.40-1.60	1.50-2.00	1.60-2.20
D	3.10-3.28	3.30-3.45	3.97-4.15
Rib width	0.54-0.65	0.54-0.65	0.54-0.65
E	3.10 REF	3.50 REF	3.60-3.80
F	12.00 REF	12.00 REF	12.00 REF
G	3.10-3.28	3.30-3.45	3.97-4.15
H	3.40-3.80	3.95-4.25	4.60-4.90
I	4.00-4.40	4.60-4.90	5.10-5.50
Pitch	2.44-2.64	2.72-2.92	2.72-2.92

L	b
40.00->0/-1.75	23.00-24.00
45.00->0/-1.75	26.00-27.00
50.00->0/-1.75	29.00-30.00
60.00->0/-1.75	35.00-36.00
70.00->0/-1.75	40.00-41.00
80.00->0/-1.75	46.00-47.00

These are our recommended guidelines only

Visitors
Den Engelsman 18
6026 RB Maarheeze
The Netherlands

Postal address
P.O. Box 2670
6026 ZH Maarheeze
The Netherlands

Contact
+31(0)495 599 888
info@stafa.nl
stafa.nl

IBAN: NL63 ABNA 0444 6696 39
BIC: ABNANL2A
VAT: NL800966041B01
CoC: 17075593